



## General Furnishings Specifications

Government of the District of Columbia  
DC Dept. of General Services DGS  
Department of Small and Local Business Development

441 4<sup>th</sup> Street, NW  
8<sup>th</sup> Floor  
Washington, DC 20009

Tenant Build-out Project

OP-X IS DEDICATED TO THE SUCCESS OF OUR CLIENTS THROUGH DESIGN

Prepared by

**OPX**

21 Dupont Circle, NW

Suite 200

Washington, DC 20036



General Furnishings Specification

Project: DGS DSLBD

Job Number: 3191

Issued for Bid Date: 05.18.13

Loose Furniture & Typical Office Furniture INDEX

Item Code:	Manufacturer:	Product:	Location:
BBF-01	Inscape or EQ	mobile box, box, file pedastal	872, 873, 876 and 877 file areas
BK-01	Hamilton or EQ	magazine shelving	851 reception
CH-01	SitOnIt or EQ	task chair	typical task chair
CH-02	SitOnIt or EQ	side chair	typical office guest chair and conference side chair
CH-03	SitOnIt or EQ	conference chair	typical conference chair
CH-04	SitOnIt or EQ	task chair	project rooms, 864 open work area
CH-05	SitOnIt or EQ	chairs	851 and 801 reception touchdowns
CH-06	SitOnIt or EQ	stools	851 reception touchdown, 820 open work area
CH-07	Arcadia or EQ	lounge chair	851 and 805 receptions
CH-08	Izzy or EQ	Hannah pantry chair	882 café
CH-09	Arcadia or EQ	lounge chair	861 lounge
CR-01	Enwork or EQ	credenza	880 project room
CR-02	Enwork or EQ	credenza	853 med. conference, 870 and 871 project rooms
CR-03	Enwork or EQ	credenza	860 large conference room
FC-01	HON or EQ	3-high metal file cabinet, 30" wide	864 and 875 open work area
FC-02	HON or EQ	3-high metal file cabinet, 36" wide	820 open work area
FC-03	HON or EQ	3-high metal file cabinet, 42" wide	864 and 875 open work areas
PANEL-01	3FORM or EQ	3 resin panels with hardware	861 lounge
RACK-01	Lesro or EQ	coat racks	864 and 875 Open Work Areas
TB-01	Enwork or EQ	conference table	860 large conference room
TB-02	Enwork or EQ	conference table	853 medium conference room
TB-03	Enwork or EQ	conference table	865 and 866 project rooms
TB-04	Enwork or EQ	conference table	870, 871 and 880 project rooms and 864 open area
TB-05	Arcadia or EQ	coffee table	851 reception
TB-06	Arcadia or EQ	side table	801 and 851 receptions
TB-07	Izzy or EQ	Rylee café table	882 café
TB-08	Arcadia or EQ	side table	881 lounge
TB-09	Arcadia or EQ	side table	offices, 865 and 866 project rooms
TB-11	Enwork or EQ	training table	805 training room
TB-12	Enwork or EQ	touchdown table	804 break area and 851 reception
TB-13	Enwork or EQ	touchdown table	851 reception
WS-A	AIS or EQ	benching station	864 and 875 open work areas
WS-B	AIS or EQ	work table	820 open work area
WS-C	AIS or EQ	benching station	879 open area
WD-D	AIS or EQ	reception desk	851 reception
WS-E	Enwork or EQ	private office	856, 857, 858, 861 offices
WS-F	Enwork or EQ	private office	862 office



































**General Furnishings Specification**

Project: DGS DSLBD  
 Job Number: 3191  
 Issued for Bid Date: 05.08.13

**Manufacturer:** HON Flagship or equal  
**Contact:** Cathy Salerno  
 Direct 703.731.7335  
[salernoc@honcompany.com](mailto:salernoc@honcompany.com)  
**Model #:**  
**Description:** 30"W 3-High Steel File Cabinets

**Item Code:** FC-01  
**Finish:** To Match HON Platinum Metallic - T1  
**Handle:** Integral

**Image:**



Location	Qty.
864 Open Work Area	6
875 Open Work Area	14
<b>Total Qty:</b>	20

\*PHOTO IS FOR INFORMATION ONLY\*



**General Furnishings Specification**

Project: DGS DSLBD  
 Job Number: 3191  
 Issued for Bid Date: 05.08.13

**Manufacturer:** HON Flagship or equal  
**Contact:** Cathy Salerno  
 Direct 703.731.7335  
[salernoc@honcompany.com](mailto:salernoc@honcompany.com)  
**Model #:**  
**Description:** 36"W 3-High Steel File Cabinets

**Item Code:** FC-02  
**Finish:** To Match HON Platinum Metallic - T1  
**Handle:** Integral

Image:



Location	Qty.
820 Open Work Area	6
<b>Total Qty:</b>	6

\*PHOTO IS FOR INFORMATION ONLY\*



**General Furnishings Specification**

Project: DGS DSLBD  
 Job Number: 3191  
 Issued for Bid Date: 05.08.13

**Manufacturer:** HON Flagship or equal  
**Contact:** Cathy Salerno  
 Direct 703.731.7335  
[salernoc@honcompany.com](mailto:salernoc@honcompany.com)  
**Model #:**  
**Description:** 42"W 3-High Steel File Cabinets,  
 Keyed Alike

**Item Code:** FC-03  
**Finish:** To Match HON Platinum Metallic - T1  
**Handle:** Integral

Image:



Location	Qty.
864 Open Work Area	4
875 Open Work Area	4
<b>Total Qty:</b>	<b>8</b>

\*PHOTO IS FOR INFORMATION ONLY\*



































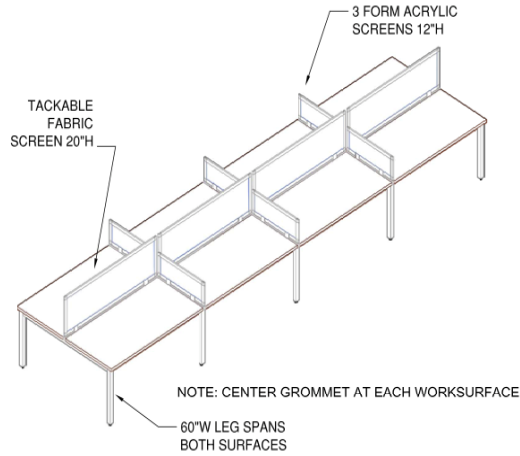
### General Furnishings Specification

Project: DGS DSLBD  
 Job Number: 3191  
 Issued for Bid Date: 05.08.13

**Manufacturer:** AIS or equal  
**Contact:** Bob Werking  
 Direct 301.221.4907  
[rwerking@ais-inc.com](mailto:rwerking@ais-inc.com)  
**Model #:**  
**Description:** 240" x 60" 8-seat Benching Station.  
 Laminate Surfaces with 20"H Tackable Fabric  
 Screens, and 12"H 3Form Acrylic Screen  
 Dividers. Power/Data Grommet at each Seat with  
 Wire Management Trough undersurface.  
 Worksurface rail for structural support and  
 mounting other components to not deface  
 worksurface.

**Item Code:** WS-A  
**Laminate Surface:** AIS TRUE WHITE RO-L0316  
**Edge:** AIS TRUE WHITE RO-L0316  
**Legs:** AIS GREY VALUE 1 (GV1)  
**Fabric Panels:** Momentum, Pact Roma  
**Acrylic Screens:** 3 Form, Wisp Silver  
**Front Finish:** Sandstone  
**Back Finish:** Sandstone

Image:



Location	Qty.
Open Work Areas	7
<b>Total Qty:</b>	<b>7</b>

\*PHOTO IS FOR INFORMATION ONLY\*



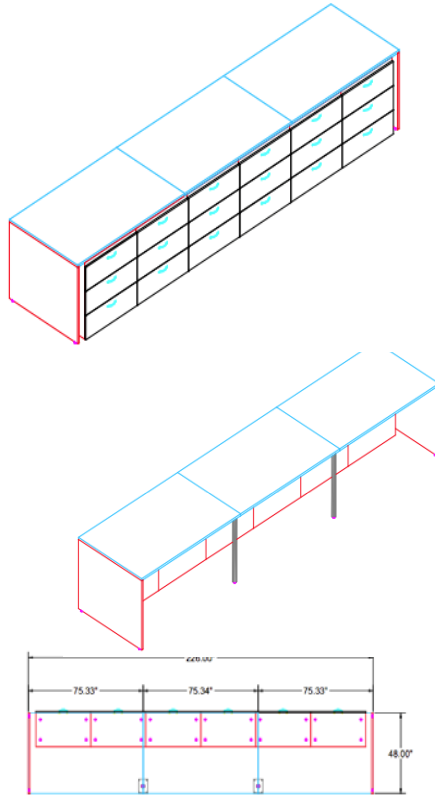
### General Furnishings Specification

Project: DGS DSLBD  
Job Number: 3191  
Issued for Bid Date: 05.08.13

**Manufacturer:** Enwork or equal  
**Contact:** Nancy League  
Direct 301.537.3514  
[nancyleague@comcast.net](mailto:nancyleague@comcast.net)  
**Model #:**  
Description: 226" x 48" x 40.75"H Work Table with Lateral Filing. Power/Data Grommet for 1 in each section with wire management trough undersurface. Laminate Surface with Laminate End panels.

**Item Code:** WS-B  
**Laminate Surface:** AIS TRUE WHITE RO-L0316  
**Edge:** AIS TRUE WHITE RO-L0316  
**Side Panels:** AIS TRUE WHITE RO-L0316

Image:



\*PHOTO IS FOR INFORMATION ONLY\*

Location	Qty.
Open Work Area 820	1
<b>Total Qty:</b>	<b>1</b>



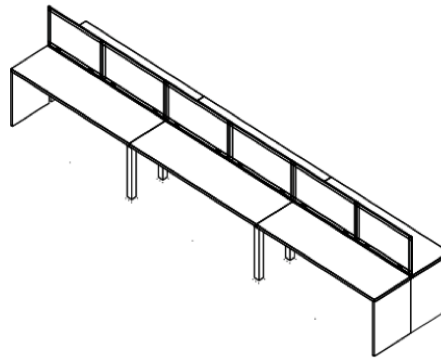
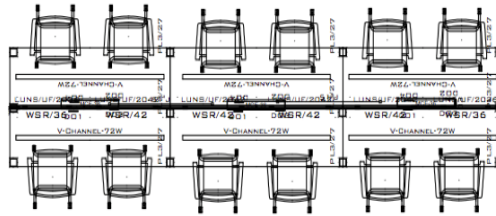
### General Furnishings Specification

Project: DGS DSLBD  
 Job Number: 3191  
 Issued for Bid Date: 05.08.13

**Manufacturer:** AIS or equal  
**Contact:** Bob Werking  
 Direct 301.221.4907  
[rwerking@ais-inc.com](mailto:rwerking@ais-inc.com)  
**Model #:**  
 Description: 240" x 48" 12-seat Benching Station,  
 Fabric Upmount Dividers, Duplex Power on each  
 table with wire management trough undersurface.  
 Worksurface rail for structural support and  
 mounting of components to not deface  
 worksurface. Full laminate end panels on each  
 end.

**Item Code:** WS-C  
**Laminate Surface:** AIS TRUE WHITE RO-L0316  
**Edge:** AIS TRUE WHITE RO-L0316  
**Side Panels:** AIS TRUE WHITE RO-L0316  
**Fabric Panels:** Momentum, Pact Roma

Image:



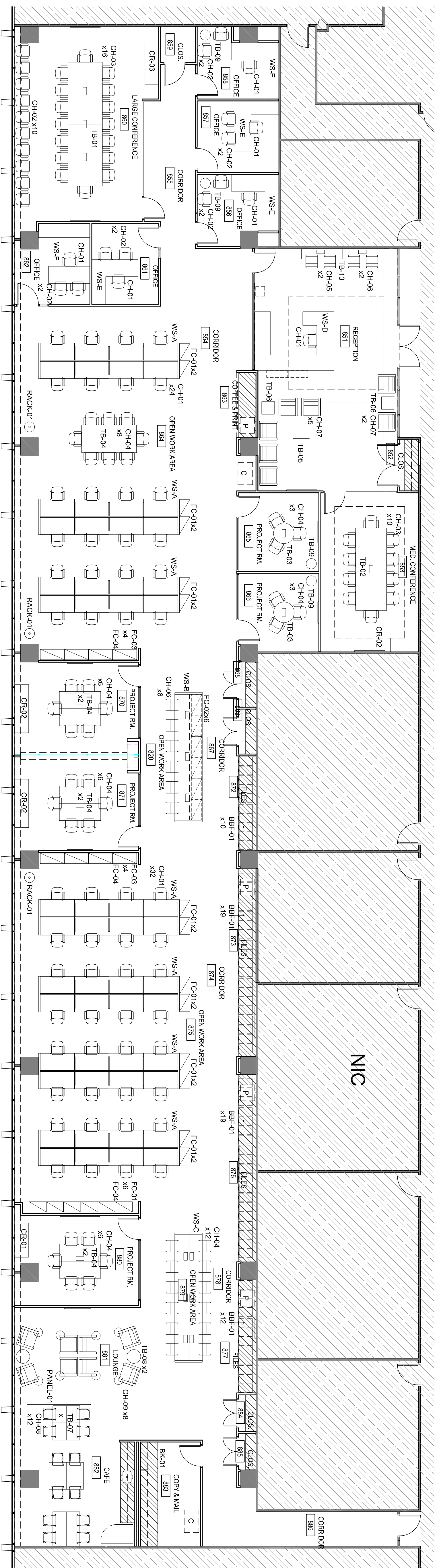
\*PHOTO IS FOR INFORMATION ONLY\*

Location	Qty.
Open Area 879	1
<b>Total Qty:</b>	<b>1</b>

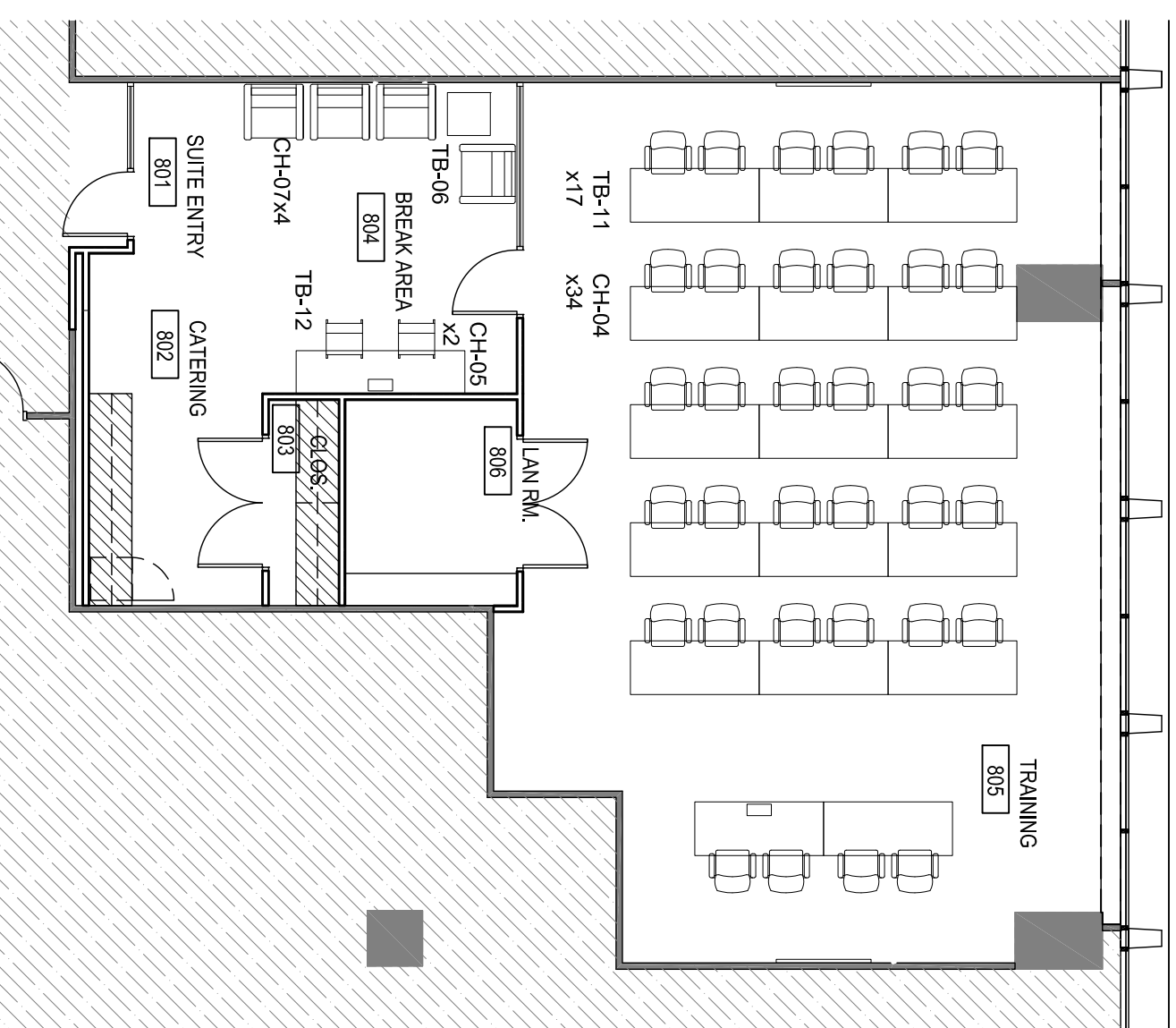








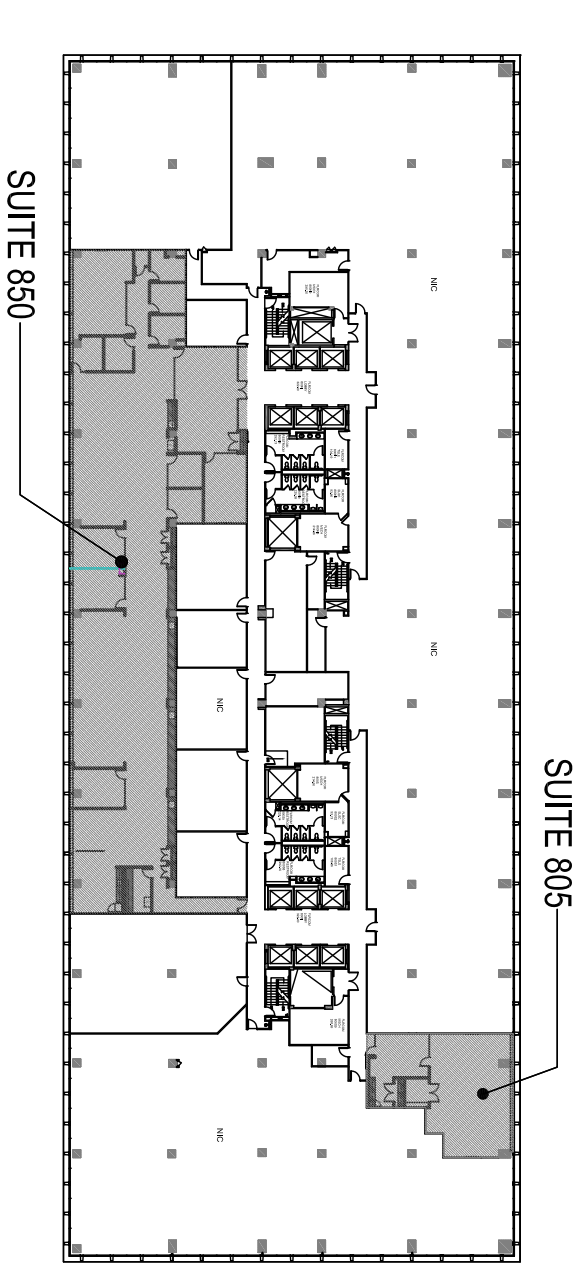
1 8TH FLOOR GENERAL FURNISHINGS PLAN - SUITE 850  
GF101 1/8" = 1'-0"



2 8TH FLOOR GENERAL FURNISHINGS PLAN - SUITE 805  
GF101 1/8" = 1'-0"

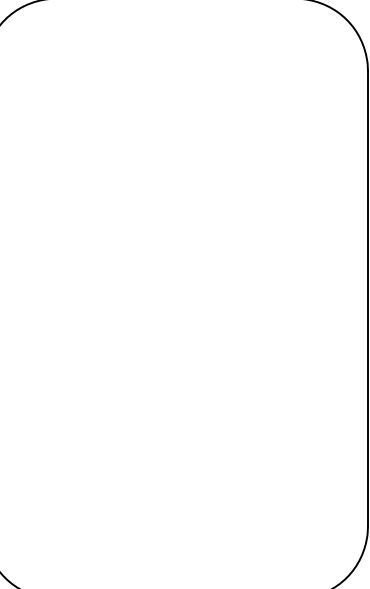
**GF PLAN GENERAL NOTES**

- FURNITURE TO BE PROVIDED BY OTHERS.
- MAINTAIN MINIMUM CLEARANCES AS SHOWN.
- COORDINATE EXACT LOCATION OF POWER FEEDS FOR SYSTEMS FURNITURE DEALER AND ARCHITECT.

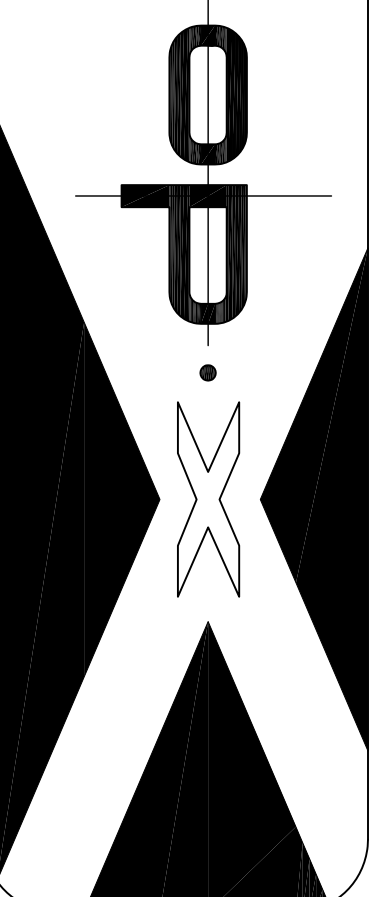


KEY PLAN

**DGS OJS DSLBD**  
One Judiciary Square, 8th Floor  
441 4th Street, NW  
Washington, DC



**a design solutions company**  
21 Dupont Circle NW, Washington DC 20036  
tel 202.822.9797 / fax 202.785.0443  
W W W . O P X G I O B A I . C O M



Small Area

8TH FLOOR GENERAL FURNISHINGS PLAN - FOR INFORMATION ONLY	
ISSUED FOR CLIENT REVIEW & PERMIT AND BID	05.08.13
Drawn:	CM
Approved:	BH
Scale:	1/8" = 1'-0"
Date:	05.08.13
Project No.:	3191

**GF101**